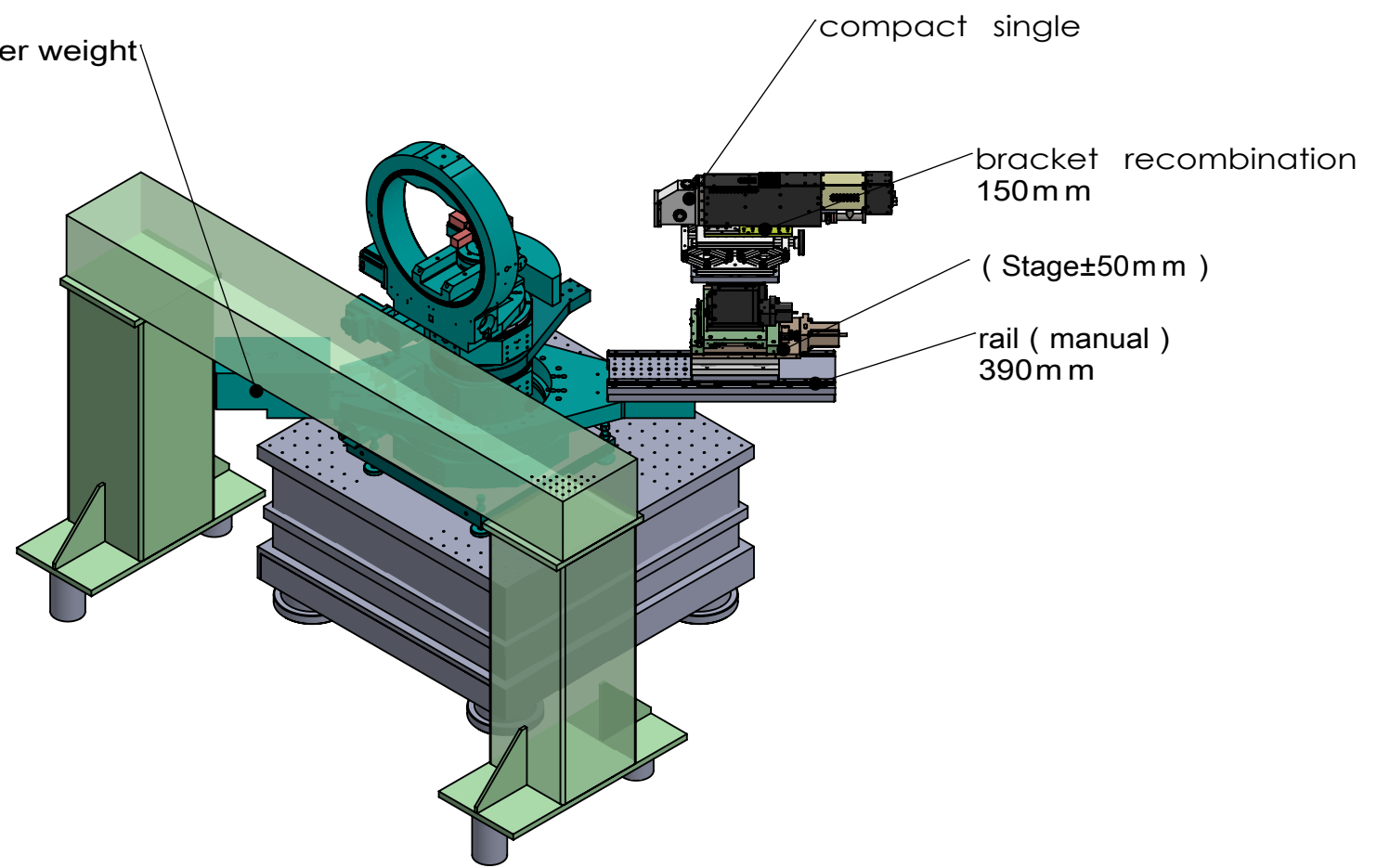
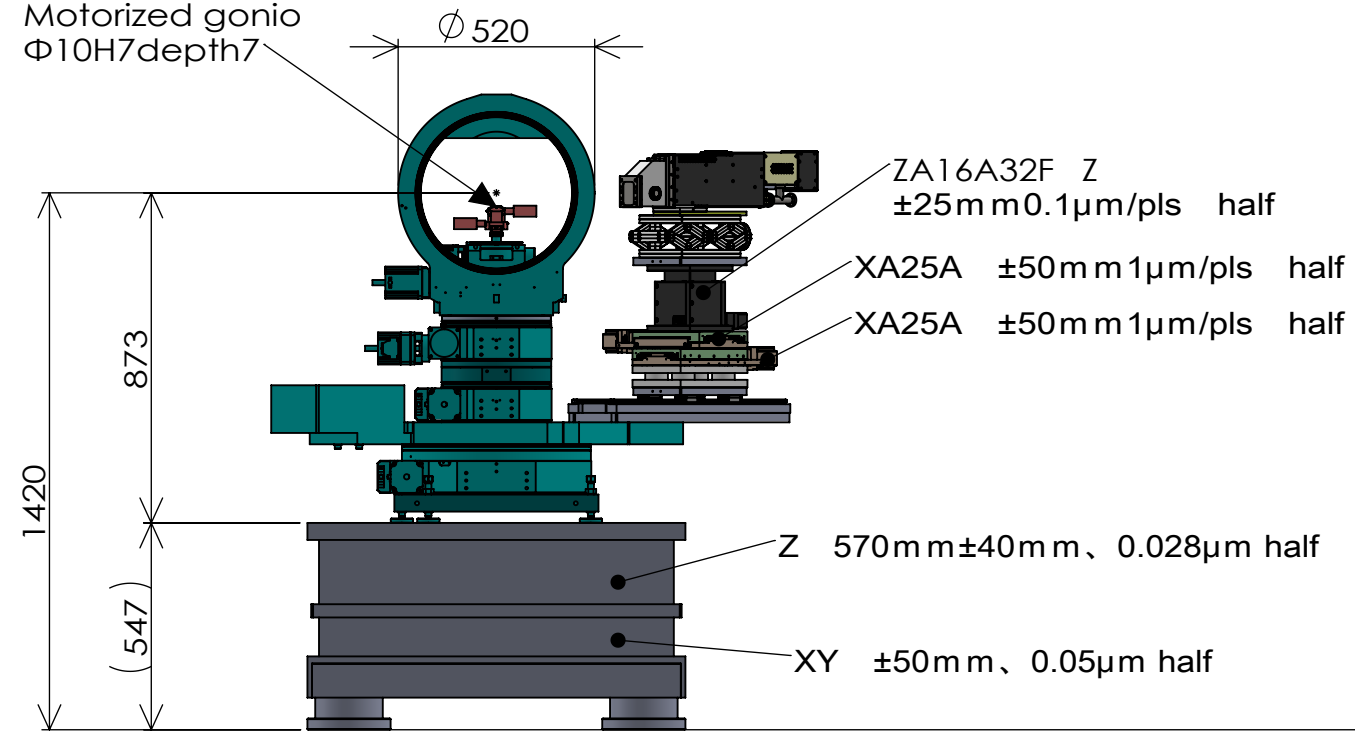


counter weight



Motorized gonio
Φ10H7depth7



512.1-10151 χ
0.001deg/pls half

410-11252 Φ
0.001deg/pls half

420-10357 (10 : 1) ω
0.0001deg/pls half

420-10352 θ
0.001deg/pls half

440-10246 2θ
0.001deg/pls half

